

1/4" ROUND HEAD RATCHET | E030601

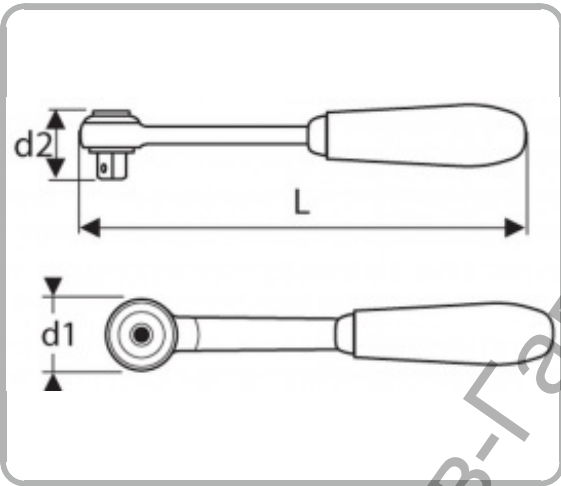


Description

- ISO 3315 - DIN 3122 - ISO 1174-1
- 72 tooth mechanism.
- 5° increment.
- Compact head.
- High Chrome finish.
- Ergonomic bimaterial handle.

Information

EAN	3258950306018
d1 [mm]	24.8
d2 [mm]	23.5
L [mm]	140
Conditioning	10
[g]	98



Ташев-Галвинг ООД
www.tashev-galving.com